

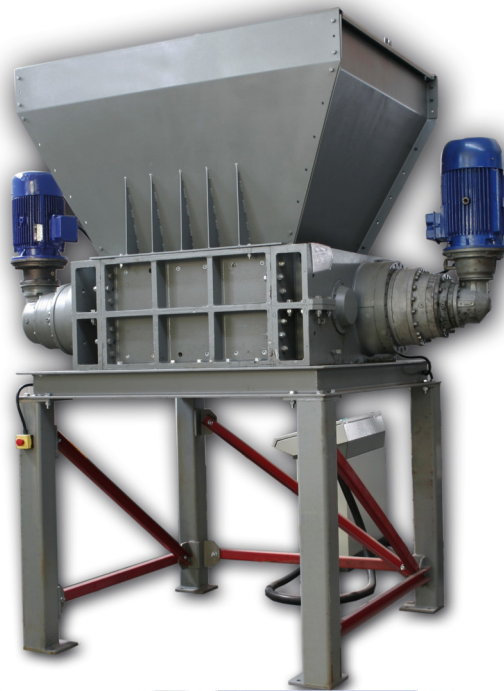
**SA|Eng.**

Soluzioni per l'Ambiente



# SA2 - 1000 XS

TWO SHAFTS SHREDDER



**High torque machine with low speed shafts**

- Shredding chamber size 1000 x 1000 mm
- Electric motor installed directly into the transmission system
- Low maintenance version with fast removal system of shafts and blades
  - Blades thickness 50 mm
- Blades available on different material variable from the shredded wastes

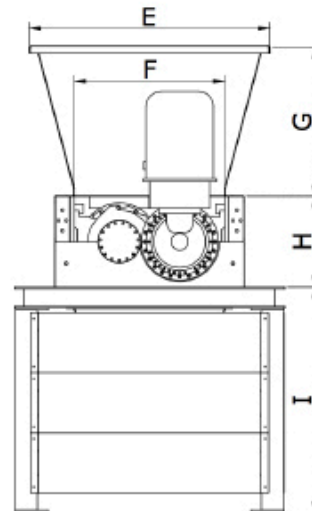
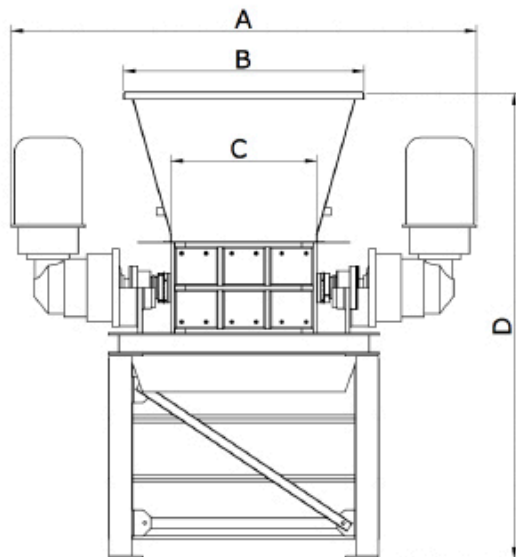
***Ideal for the treatment of:***

***Plastics - Tires - Wood - Electronic waste - Municipal waste***



# SA2 - 1000 XS

TWO SHAFTS SHREDDER



Dimensioni	
A:	3100
B:	1600
C:	1000
D:	3130
E:	1600
F:	1000
G:	1000
H:	600
I:	1500



Visit our website

You're welcome !!  
Come to visit us



## TECHNICAL DETAILS:

### • Shredding chamber

- Chamber size	mm	1000 x 1000 x 460
- Number of shafts	n.	2
- Shafts speed	rpm	21/18
- Number of blades	n.	20
- Blades thickness	mm	50
- Kind of blades		with 1 hook
- Gearboxes	n.	2
- Trasmission system		Direct

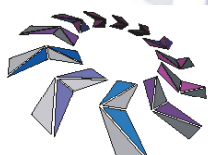
### • Drive system

- Electric motor	n.	2
- Installed power	kW	2 x 22 (2 x 30)
	HP	60 (80)
- Voltage	V	400
- Control system		by PLC

### • Machine weight

Kg 4500 ca.

*Technical characteristics can be change without notice*



**SA|Eng.**  
Soluzioni per l'Ambiente

Legal office and North East Italy representation: Via Noventa, 80 - San Donà di Piave (VE)  
Operative office, Export and North West Italy representation: Via Della Filanda, 9 - Arluno (Mi)  
Tel: +39 02 22 19 1230    www.sa-eng.it    info@sa-eng.it